

PLASMA BIONICS

V10 AIR PLASMA STERILIZER

Redefining Veterinary Instrument Sterilization

DATA SHEET



plasmabionics.com

TECHNICAL SPECIFICATIONS

Exterior dimensions	28.75 in x 19.25 in x 18.75 in (73 cm x 49 cm x 48 cm)
Installation space requirement	30.75in x 21.25 in x 20.75 in (2 inches on all sides)
Sterilization chamber dimensions ¹	18 in x 16 in x 7 in (46 cm x 41 cm x 18 cm)
Sterilization chamber volume ¹	33 L (8.7 gal)
Sterilization tray dimensions ¹	16 in x 10 in x 4 in (41 cm x 25 cm x 10 cm)
Sterilization tray volume ¹	10.5 L (2.8 gal)
Weight	110 lbs (49.9 kg)
Operating temperature	5-40 °C (41-104 °F)
Storage temperature	-25-60 °C (-13-140 °F)
Electrical requirements	110-120 VAC, 50/60Hz, 6.5 A max (250 V 8 A rated fuse)
Operating relative humidity	0%-95%
Operating altitude	Up to 2,000 m (6,562 ft), 545-775 Torr (72.4-103.4 kPa)

¹ Instruments being sterilized must fit within the area of the sterilization tray.

STERILIZATION CYCLE SPECIFICATIONS

Type of sterilization cycle	Single cycle sterilizes most general surgical and laparoscopic instruments*
Sterilization process	Air Plasma Sterilization™ process, terminal sterilization using overkill method to provide SAL of 10 ⁻⁶
Total sterilization cycle time	Approximately 4 hours
Preconditioning time	15-20 min ⁺
Sterilizing time	3 hours
Ventilating time	45 minutes
Sterilant	Reactive oxygen and nitrogen species, primarily ozone, nitrogen dioxide, and hydroxyl radicals
Sterilant production	Sterilant gases produced from preconditioned air along the surface of the plasma sheet
Sterilant delivery	Sterilant gases produced inside sterilization chamber
Sterilant removal	Sterilant gases are converted back into air by pumping through Carulite® 200 granular catalyst
Critical process parameters	Air temperature, pressure, and humidity are monitored during preconditioning , voltage feedback from plasma production is monitored throughout the sterilizing step
Sterility assurance	Biological indicators (≥10 ⁶ spores of <i>Geobacillus stearothermophilus</i>) https://biologicalindicators.mesalabs.com/exposure/

*see lumen claims below and separate material compatibility lists

⁺Preconditioning time may vary based on environmental conditions (i.e. relative humidity, temperature, altitude)

CONSUMABLES

Consumable	Usable life (sterilization cycles)	Disposal	Shelf life	Storage
Plasma sheet	15	No restrictions ¹	Indefinite	Away from heat and moisture
Desiccant canister	50-75	No restrictions	Indefinite ²	Away from heat and moisture
Catalyst canister	200	No restrictions	Indefinite ²	Away from heat and moisture
Chemical indicator tape	N/A	No restrictions	Indefinite	Away from heat, moisture, and oxidative gases

¹Plasma sheets can be returned to Plasma Bionics LLC for recycling

²Indefinite shelf life in original packaging

NETWORKING AND DATA RECORDING

Data recording	Electronic data storage up to 10,000 cycles, USB data retrieval for record keeping
Network connectivity	No network connectivity feature on model V10

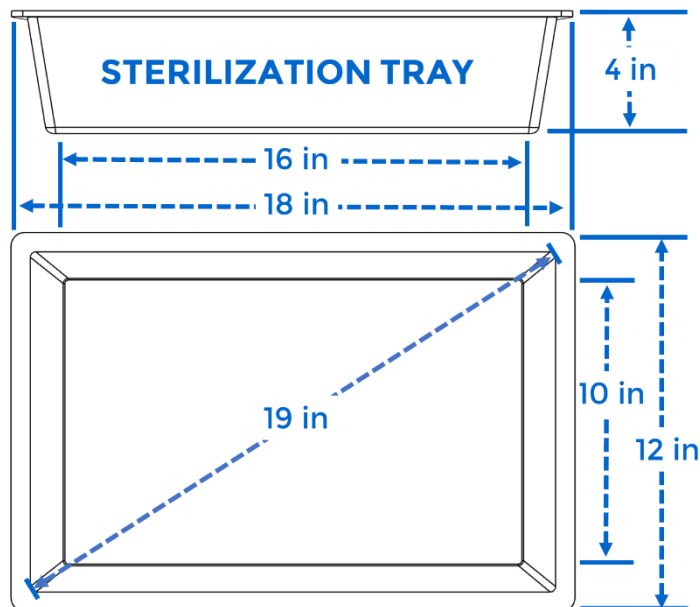
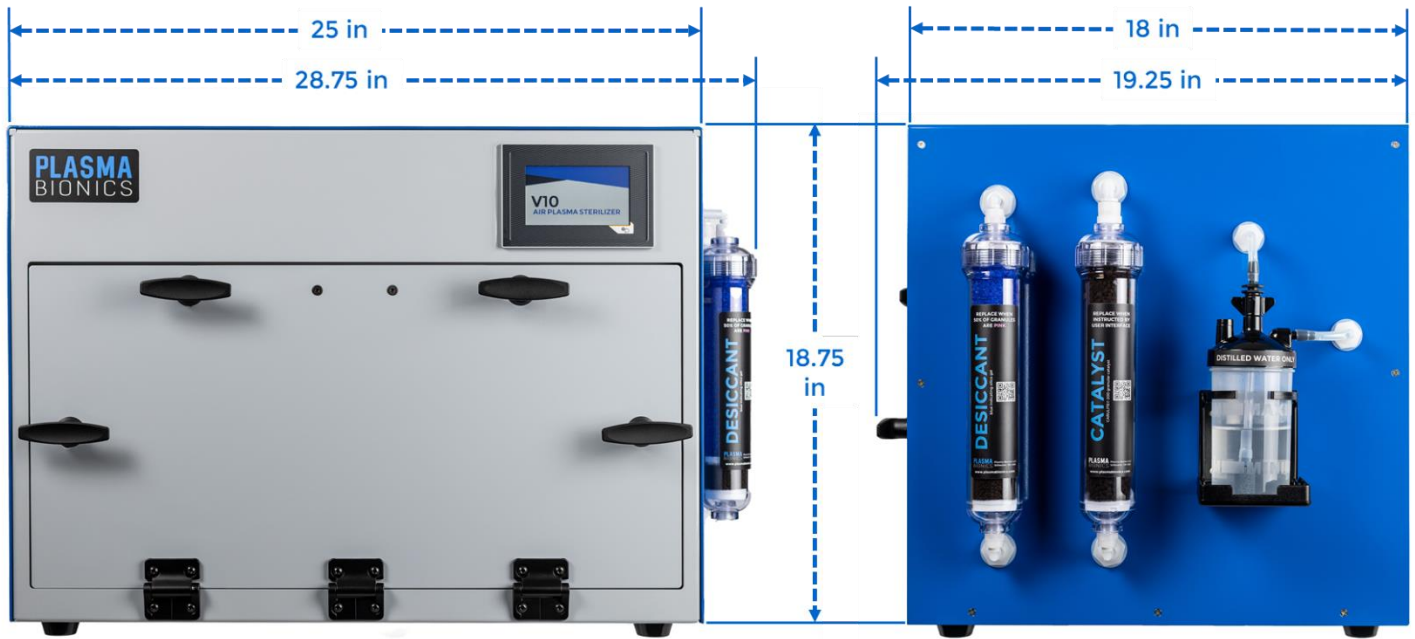
ORDERING INFORMATION

Product Code	Product Description
V101	V10 Air Plasma Sterilizer
S201	Plasma sheets (5 pack)
D501	Desiccant cannister
C601	Catalyst cannister
CI301	Chemical indicator tape (3 pack)

LUMEN CLAIMS

Diameter	Length
1 mm	≤100 mm
2 mm	≤200 mm
3 mm	≤300 mm
4 mm	≤400 mm
≥6 mm	≤600 mm





plasmabionics.com
sales@plasmabionics.com
+1 (405) 939 0676